

PUMP INFORMATION

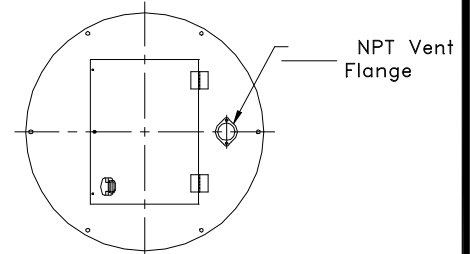
- Type: Sump Pump(s)
 Grinder Pump(s)
 Non-Clog Pump(s)

Model NO: _____
 Rating: _____ GPM _____ TDH
 Motor: _____ HP _____ RPM
 Elec: _____ PH _____ HZ _____ v
 Elec: _____ FL AMPS

DISCHARGE PIPE

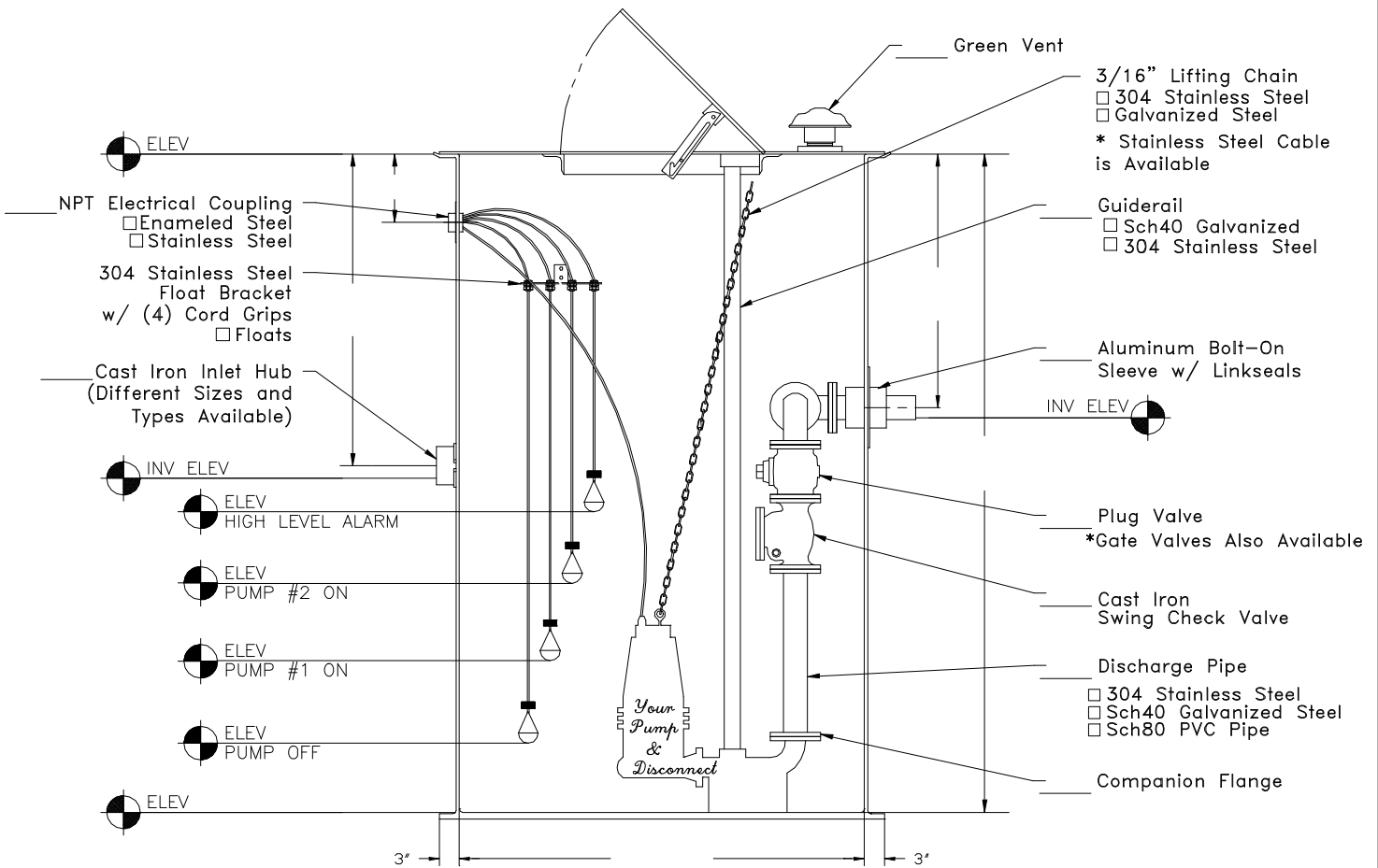
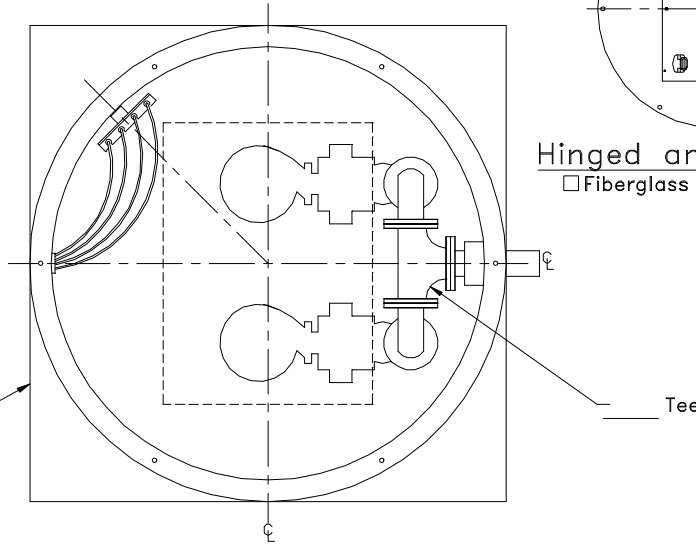
- 304 Stainless Steel
 Sch40 Galvanized Steel
 Sch80 PVC Pipe
 3"
 4"

- Anti-Floatation Flange
 Fiberglass Encapsulated
 ASTM A-36 Steel
 Round Fiberglass
 None



Hinged and Lockable Cover

- Fiberglass Steel Aluminum



- NPT Electrical Coupling
 Enameled Steel
 Stainless Steel

- 304 Stainless Steel
 Float Bracket
 w/ (4) Cord Grips
 Floats

- Cast Iron Inlet Hub
 (Different Sizes and
 Types Available)

- INV ELEV
 HIGH LEVEL ALARM

- ELEV
 PUMP #2 ON

- ELEV
 PUMP #1 ON

- ELEV
 PUMP OFF

- ELEV

- Green Vent

- 3/16" Lifting Chain
 304 Stainless Steel
 Galvanized Steel

* Stainless Steel Cable
 is Available

- Guiderail
 Sch40 Galvanized
 304 Stainless Steel

- Aluminum Bolt-On
 Sleeve w/ Linkseals

- INV ELEV

- Plug Valve
 *Gate Valves Also Available

- Cast Iron
 Swing Check Valve

- Discharge Pipe
 304 Stainless Steel
 Sch40 Galvanized Steel
 Sch80 PVC Pipe

- Companion Flange



Prefabricated Fiberglass
 Duplex Lift Station
 Reference: 3"-4" Duplex Base Elbow
 Side Discharge

Scale: None
 Drawn By: RM
 App'd By: .
 Date: 05/16/03

This print is and contains confidential proprietary information owned exclusively by TOPP INDUSTRIES, INC. It is furnished on a strictly confidential basis. This restriction includes, but is not limited to the condition that this print will not only be used as a record or to identify or inspect parts or for other information purposes and will not be used to manufacture or procure the manufacture of the items shown in this print by any other source than TOPP INDUSTRIES, INC.

Highway 25 North P.O. Box 420
 Rochester, IN 46975
 Phone: 800/354-4594 Fax: 574/223-6106

Supersedes Prints
 Prior To: 05/16/03

Reference No: 10147

Revisions

| | |
|-----|-----------------|
| (A) | First Released. |
| | |
| | |
| | |